

5MP Dome Type Camera

EM-IQD

- QHD 5Mega-pixel 2560x1920p @30fps
- SONY Progressive CMOS Sensor
- 높은 효율의 H.256, H.264 압축 방식을 통한 선명한 화질
- 이상음원감지 기능(F21, F28 모델)

제품 사양

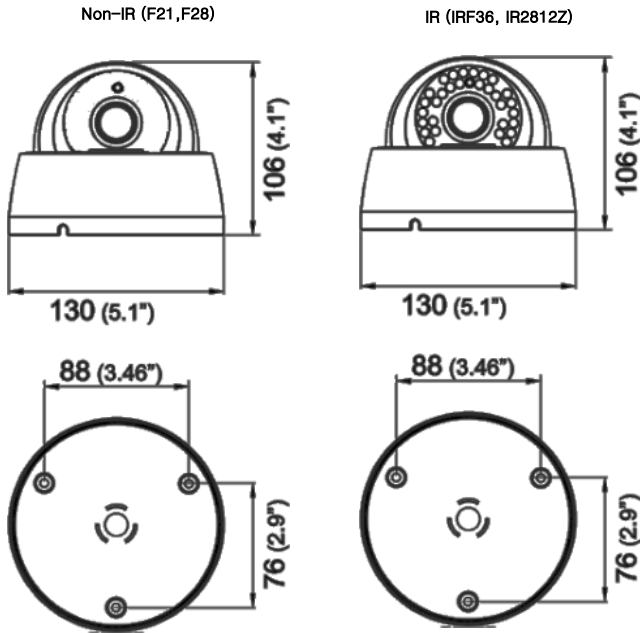
모델명		EM-IQD(F21)	EM-IQD(F28)	EM-IQD(IRF36)	EM-IQD(IR2812Z)
Lens	Focal Length	2.1mm	2.8mm	3.6mm	2.8~12mm
	FOV	H : 134° / V : 75°	H : 100° / V : 64.5°	H : 87.4° / V : 47°	H:100°(wide)~30.8°(tele) V:64.5°(wide)~23.3°(tele)
	Focus	Fixed			Motorized/Auto, Manual
Image	Image Sensor	Sony Starvis 5.69MP Image Sensor			
	Size	1/2.8 inch			
	Scan System	Progressive Scan			
	Video Signal to Noise	>50dB			
	Minimum Illumination	0.02 lux(Color), 0 lux(BW, IR on)			
Video	Compress Format	H.265 / H.264 / MJPEG			
	Resolution	2560x1920 / 2560x1600 / 2560x1440 / 2048x1536 / 1600x1200 / 1920x1080 / 1280x1024 / 1280x960 / 1280x720 / 1024x768 / 854x480 / 640x480 / 640x360 / 320x240			
	Max. Frame Rate	30fps @ all resolution			
	Streaming	Triple Stream (Stream 1,2,3) / RTP/RTSP, Unicast RTP, Multicast RTP			
Sound Detection		Support		Not Support	
Function	Day & Night	Auto/Day(Color)/Night(BW)			
	Privacy Area	Area On/OFF (16 Zone)			
	Motion Detection	432 Zone (On/Off, 1~5 Step)			
	WDR	DWDR (1~3 Step)			
	DNR/Defog HCL/LDC	Support			
	Ext. Video	Not Support			
	Elec.Shutter	Auto(1/30~1/30000), Suppress Rolling, Manual			
	White Balance	Auto/Indoor/Outdoor/Fluorescent			

제품 사양

IR LED	IR LEDs	N/A	24pcs LEDs
	Visible distance		Max 15M
Audio	Compress Format	G.711 u-law	
	Streaming	Two way	
Event	Sensor In	1 port	
	Alarm Out	1 port	
Network	Interface	RJ45 10/100 Base-T PoE	
	Protocol	TCP/IP,UDP/IP,RTP,RTSP,RTCP,NTP,HTTP,DHCP,FTP,SMTP,DNS,DDNS	
	ONVIF	Support	
	Simultaneous Access	Max. 10 user	
Power Supply / Current		DC12V 750mA / PoE	
Operating Temp / Humidity		-10℃~+40℃ / 0% ~ 90%	
Dimension		Φ130mm X 106mm	
Weight		Approx. 350 g	

외관도

(mm)



인증

